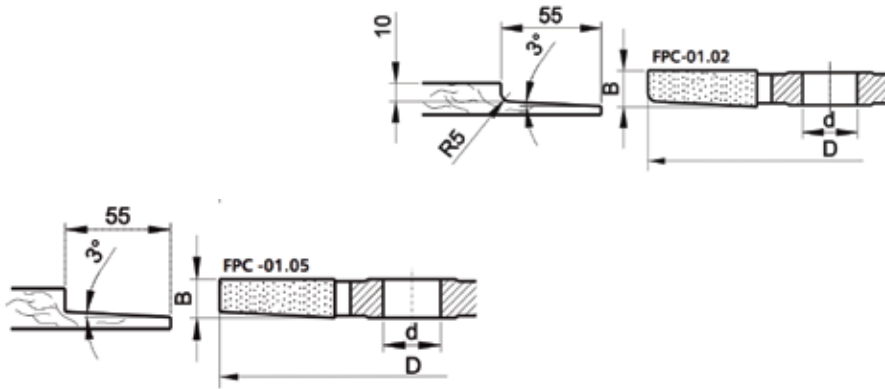




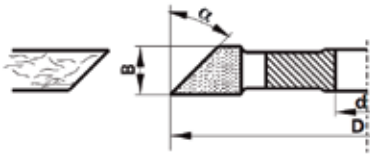
Panel Raising Cutters TCT



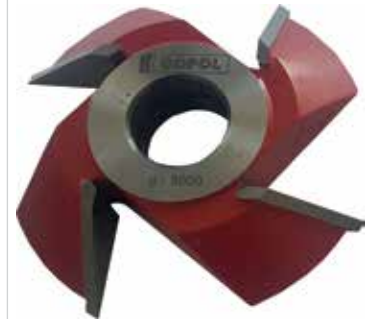
D	B	d	z	PART NO
200	20	30	4	GOPFPC0102
200	20	30	4	GOPFPC0105



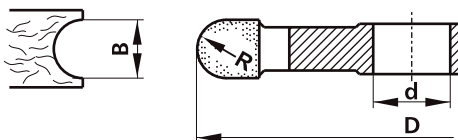
45° Cutters TCT



D	B	d	z	45° Anticlockwise	PART NO
125	25	30	4		GOPFPA0801HM



Bull Nose Cutters TCT



R	D	B	d	z	n max	PART NO
4	125	8	30	4	9	GOPFPA0501HM1258
5	125	10	30	4	9	GOPFPA0501HM12510

